

# KX-31, 32PIR

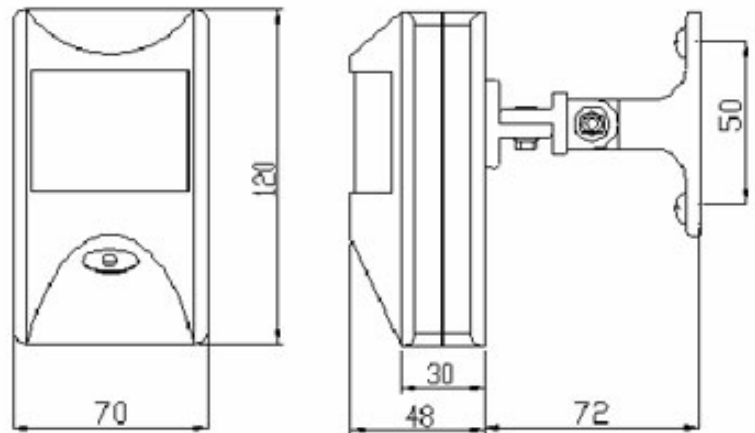
## 1/3" Color SONY CCD PIR HIDDEN CAMERA

**KX-31PIR** w/o PIR Sensor

**KX-32PIR** Built-in PIR Sensor

### Features

- Color camera with SONY 1/3" CCD sensor in PIR hidden case.
- Employs Digital Signal Processor (DSP) chip-set for image control.
- Pixel number : NTSC=270K / PAL=320K (Normal Resolution ).  
NTSC=380K / PAL= 440K (High Resolution).
- High sensitivity, low smear, high anti-blooming, and high S/N ratio.
- Build-in functions: Auto Electronic Shutter (AES), Auto Gain Control (AGC), Auto White Balance (AWB).
- Furnished with DC power cable and video cable.
- Built-in anti-aliasing and IR-cut optical filter.



### Specification

Item	Description	
	KX-31PIR	KX-32PIR
Image Pick-up Device	SONY 1/3" CCD Normal Resolution	
Effective Picture Elements	NTSC: 510 (H) X 492 (V) PAL: 500 (H) X 582 (V)	
Resolution	420TVL	
Minimum Illumination	0.3 Lux @F3.5	
Signal to Noise Ratio	More Than 48dB	
Electronic Shutter	NTSC: 1/60 ~ 1/100,000 sec. PAL:1/50~1/110,000sec.	
Gamma Characteristic	r=0.45	
Lens Furnished	Pinhole Lens 5.5mm/ F3.5	
Gain Control	Automatically	
White Balance	Automatically (2500K ~ 9500K)	
Synchronous System	Negative sync. Internal	
Video Output	1Vp-p Composite / 75ohm	
Power Supply	DC12V/ 130mA	
Operating Temp.	-10C~+50C (14F to 122F)	
Dimensions	130mm (Dia ) x 58mm (H)	
Audio Output (Option)	2 Vp-p/ 50 ohms. RCA connector	
Built-in PIR Sensor (KX-32PIR)		
PIR Detection Angle	Horizontal = 100 / Vertical = 45	
PIR Detection Range	10 M	
PIR N.C / N.O Relay Output	1A/120VAC, 2A/ 30VDC	
PIR N.C/ N.O Alarm Time	Adjustable from 2 to 50 sec.	